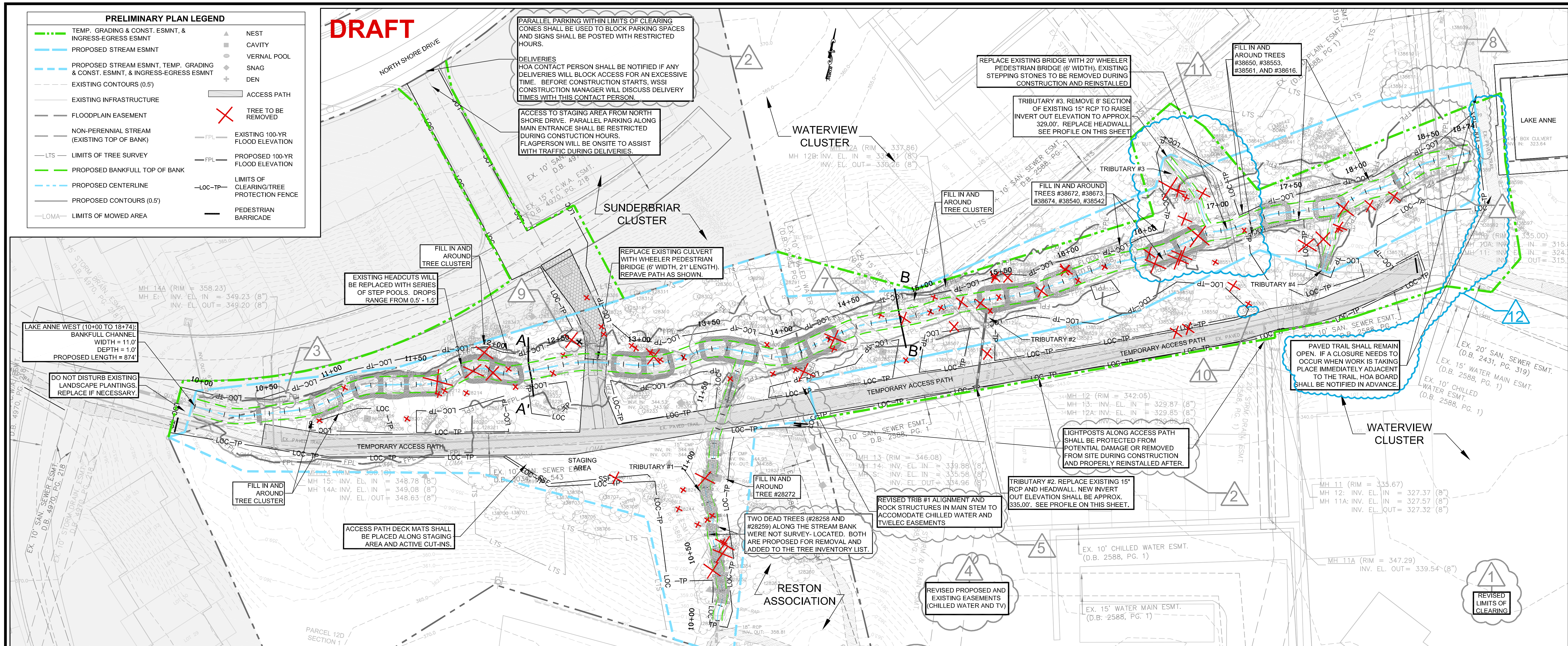


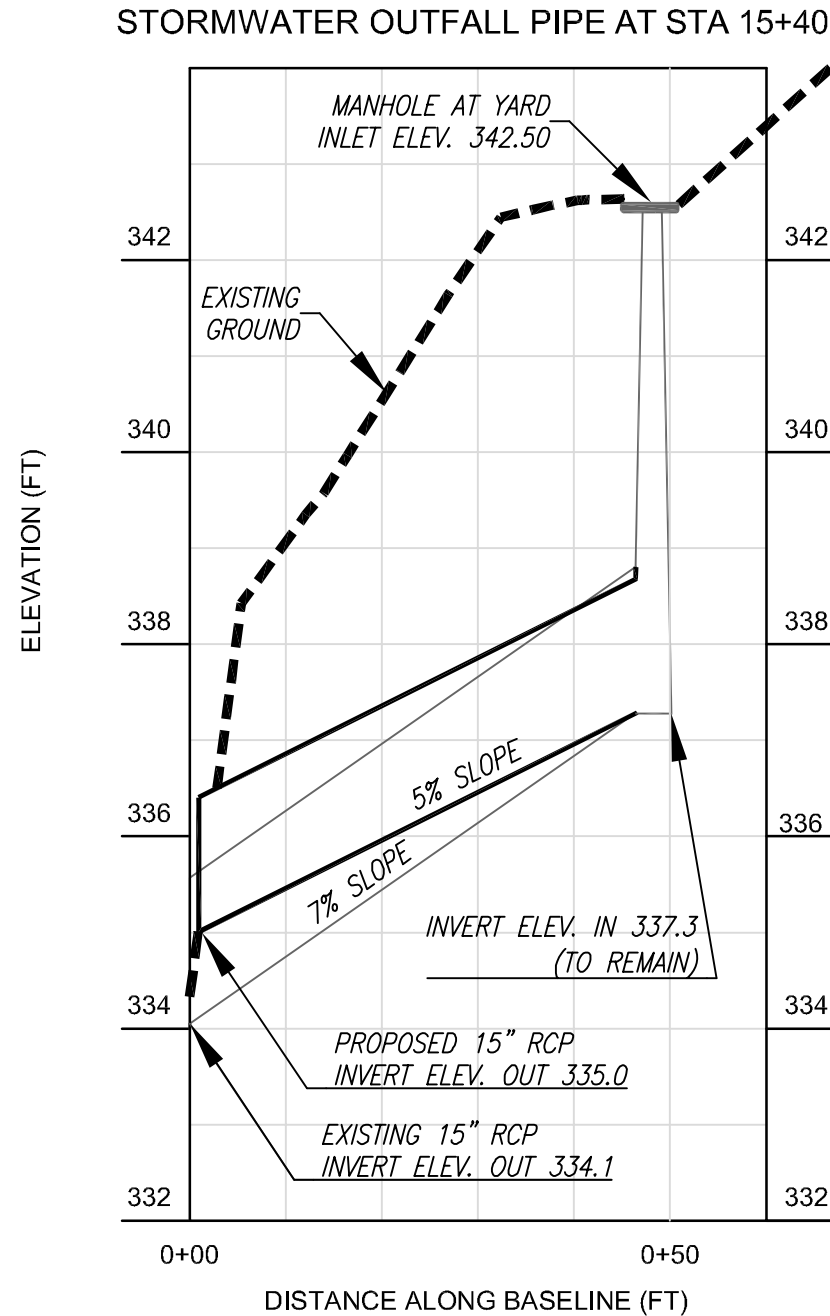
DRAFT

PRELIMINARY PLAN LEGEND

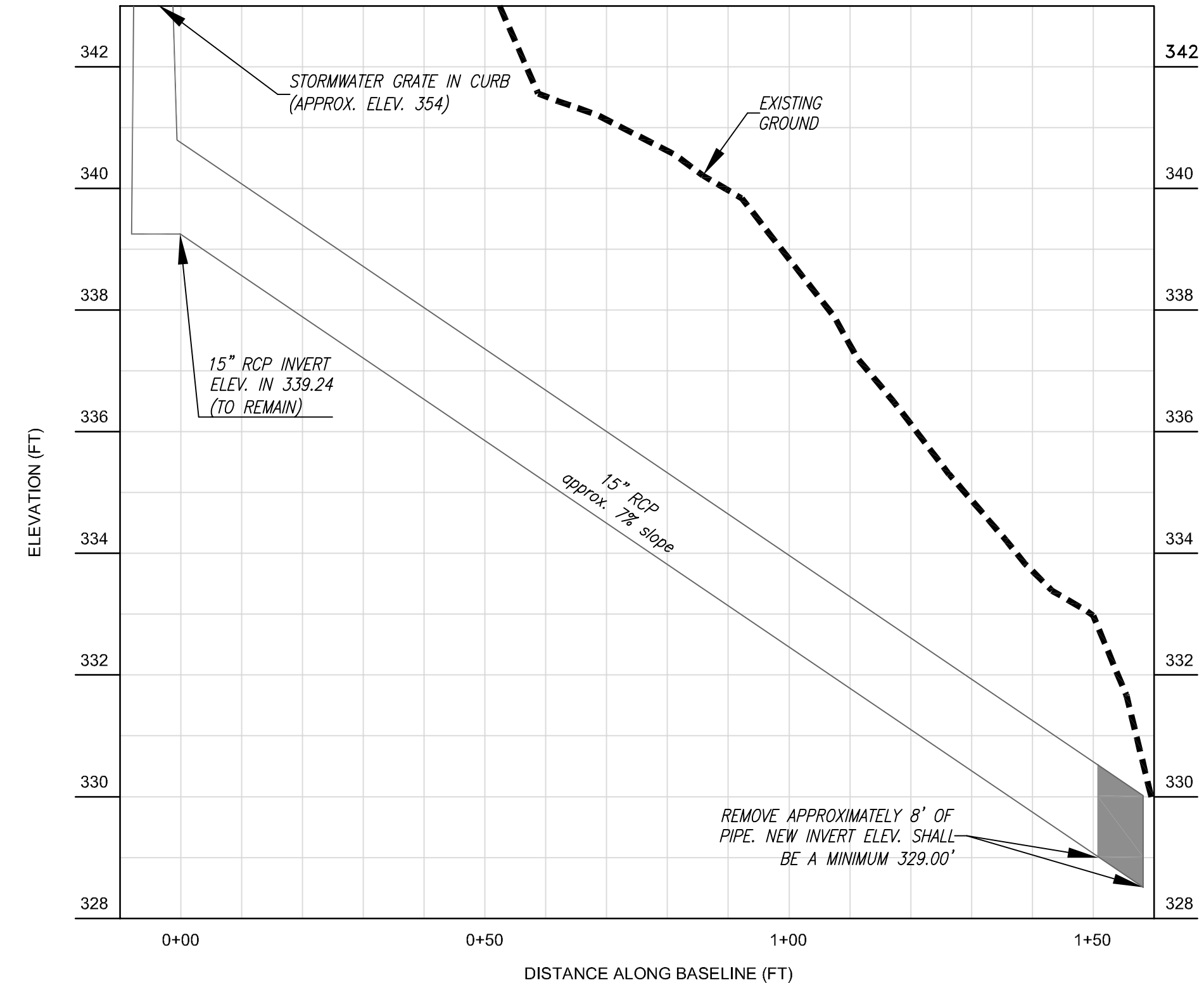
TEMP. GRADING & CONST. ESMNT, & INGRESS-EGRESS ESMNT	▲	NEST	
PROPOSED STREAM ESMNT	■	CAVITY	
PROPOSED STREAM ESMNT, TEMP. GRADING & CONST. ESMNT, & INGRESS-EGRESS ESMNT	○	VERNAL POOL	
EXISTING CONTOURS (0.5')	◆	SNAG	
EXISTING INFRASTRUCTURE	+	DEN	
FLOODPLAIN EASEMENT	—	ACCESS PATH	
NON-PERENNIAL STREAM (EXISTING TOP OF BANK)	—	×	TREE TO BE REMOVED
LTS - LIMITS OF TREE SURVEY	—	FPL - EXISTING 100-YR FLOOD ELEVATION	
PROPOSED BANKFULL TOP OF BANK	—	FPL - PROPOSED 100-YR FLOOD ELEVATION	
PROPOSED CENTERLINE	—	LOC - LIMITS OF CLEARING/TREE PROTECTION FENCE	
PROPOSED CONTOURS (0.5')	—	—	PEDESTRIAN BARRICADE
LOMA - LIMITS OF MOWED AREA	—		



TRIBUTARY #2 - REPLACE EXISTING STORMWATER OUTFALL PIPE AT STA 15+40



TRIBUTARY #3 - DAYLIGHT LOWER PORTION STORMWATER OUTFALL PIPE AT STA 16+95



STREAM LENGTH:

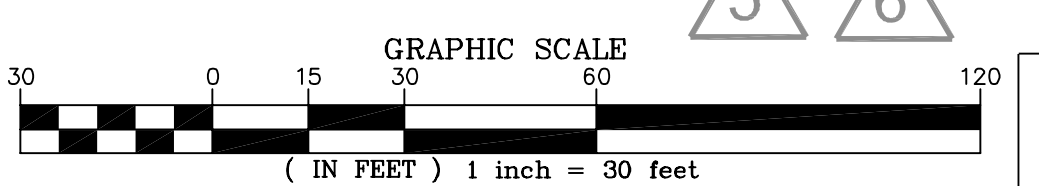
LAKE ANNE WEST = 835'

TRIBUTARY #1 = 167'

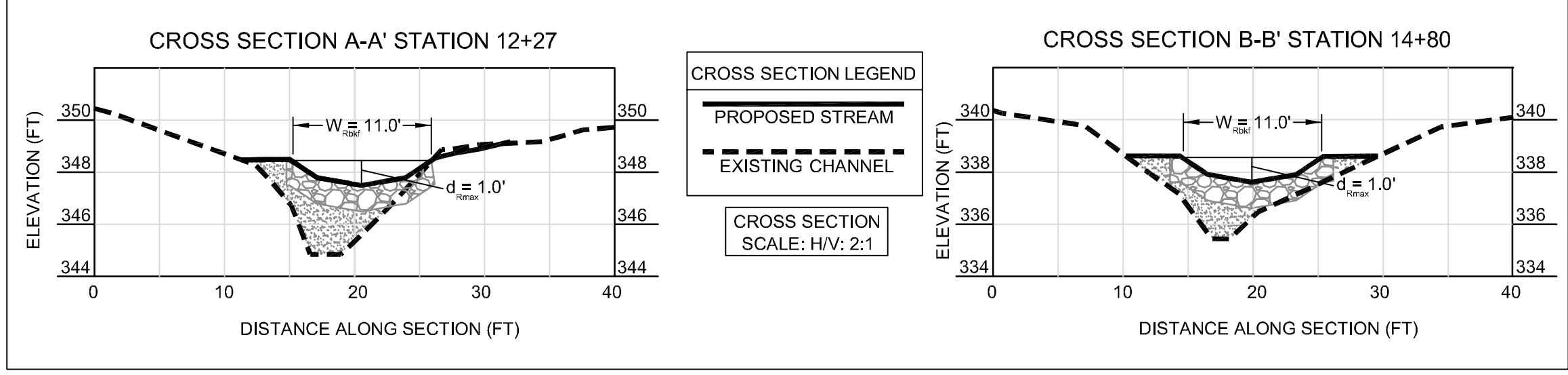
TRIBUTARY #3 = 55'

TRIBUTARY #4 = 38'

TOTAL STREAM LENGTH = 1,095'



TYPICAL PROPOSED RIFFLE CROSS SECTIONS



Northern Virginia Stream Restoration Bank
Lake Anne West
Fairfax County, Virginia



Preliminary Plan

Copyright © 2011 Wetland Studies and Solutions, Inc.

REVISIONS		H. D.: VCS NAD 83 V. D.: NGVD 29		
No.	Date	Description	Rev. By.	App. By.
1	12/16/2011	Revised limits of clearing at access	KLP	FRG
2	12/16/2011	Added notes	KLP	FRG
3	12/16/2011	Saved tree (#28359)	KLP	FRG
4	12/16/2011	Revised ex and proposed easements	KLP	FRG
5	12/16/2011	Revised alignments and structures	KLP	FRG
6	2/18/2011	Revised alignments and structures	KLP	FRG